

AL-OU50-101

galley solutions  
worldwide

## Warming Oven



**Aerolux Limited** Aircraft Galley Equipment Manufacturers  
Chorley Road, Blackpool, Lancashire FY3 7XQ, England  
Tel +44 (0)1253 396670 Fax +44 (0)1253 300074  
Email [info@aerolux.co.uk](mailto:info@aerolux.co.uk) • [sales@aerolux.co.uk](mailto:sales@aerolux.co.uk)  
[www.aerolux.co.uk](http://www.aerolux.co.uk)



# AL-OU50-101

- **Warming Oven** is a compact, self-contained unit (Atlas standard) designed specifically for the warming of bread rolls, croissants etc.
- Available in two variants, OU50-101A which has 2 baskets and OU50-101B with 3 baskets.
- Approximately 50-60 standard aircraft bread rolls can be heated within 25 minutes.
- The outer body is made from a lightweight aluminium alloy; the inner liner is of polished stainless steel for strength and ease of cleaning.
- Either left or right hand opening door. The door geometry allows it to open a full 180°.



## Characteristics

Power Supply 115/200 VAC 400 Hz 3 Phase  
 Nominal AC Current **101A** 2.6 Amps  
 Nominal AC Current **101B** 3 Amps  
 Recommended Circuit Breaker 5 Amps  
 Heaters **101A** 900 Watts  
 Heaters **101B** 1050 Watts

## Performance

Internal Capacity  
 101A 0.02 cu. m (0.72 cu. ft)  
 101B 0.036 cu. m (1.28 cu. ft)  
 Cycle Time 25 minutes  
 Control Thermostat Setting 150°C (302°F)

## Controls

The remotely mounted control module provides an **ON/OFF** selector switch, which, when switched ON energises an indicator light which illuminates green. **READY** lamp illuminates blue when the heating cycle is complete.

## Operational Range

Ambient Temperature 15-35°C (59-95°F)  
 Altitude 0 to 8000ft

## Interface details

Electrical Connector MS 24264R16B-10P  
 Mounting Attachment  
**101 A**  
 4-off 10-32 UNF in base  
 2-off (per side) 10-32 UNF  
**101 B**  
 4-off 10-32 UNF in base

Variant	OU50-101A	OU50-101B
Height	280mm (11.02")	470mm (18.5")
Width	290mm (11.42")	290mm (11.42")
Depth	410mm (16.15")	420mm (16.54")
Empty weight	12.3kg (27lbs)	15.45kg (34lbs)
Max content	2.5kg (5.5lbs)	2.9kg (6.5lbs)

## Documentation:

ATA / iSpec 2200 CMM

## Release:

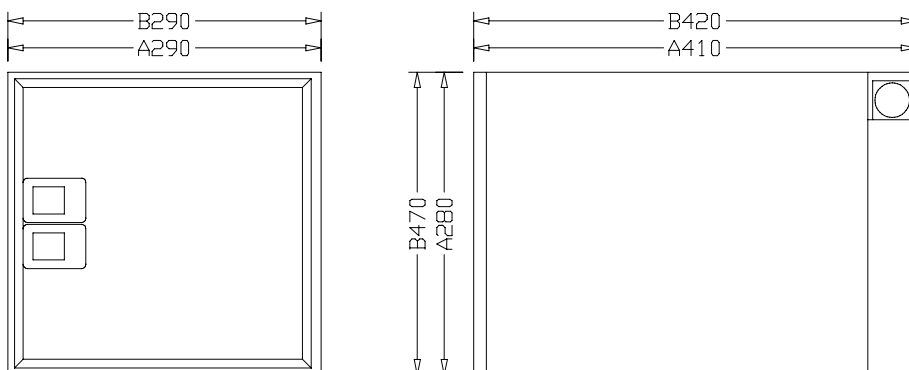
EASA Form 1 or Certificate of Conformity (COC)\* model dependant

\*EASA Form 1 can be provided by a DOA to POA Arrangement depending on commercial contract. Cost applicable.

## Electrical interface

	PIN OUT
A phase	1
B phase	2
C phase	3
Neutral	4
Ready indicator	5
ON indicator	6
28V ground	7
Ground	8
Ground	9
28V ON/OFF switch	10

## Outline drawing



**Caution:** Do not use the information contained in this document to perform installation design as this data is subject to change.