

Espresso Coffee Maker



AL-EX15-200E Series

Innovative Design

- The **Espresso Coffee Maker** is a self contained unit designed for the in-flight preparation of Espresso Coffee, suitable for first and extended business class galleys and corporate jet environments.
- Designed primarily to provide one cup of Espresso Coffee per serving, the Unit can also provide hot water for other beverages and steam for cappuccino preparation.
- The continuous fill Unit combines high performance and reliability, low maintenance and ease of use.
- Designed for long service life, the Unit is of a module type construction manufactured from stainless steel and machined aluminum components, all mounted on an integral chassis. Temperature controls and safety devices ensure safe and consistently high standards of performance.
- The simple modular design aids maintenance and scheduled service tasks in order to minimise downtime and turn around times.
- Designed to fit on a standard beverage mounting rail, the unit can easily be removed and re-installed from the galley without the use of special tools.

Nespresso Coffee System

- The unit uses the **Nespresso** patented capsule system, which ensures excellent quality coffee and accurate portion control for each serving.
- Coffee capsules are inserted by means of a capsule holder and locked in position during the brewing cycle
- **Nespresso** capsules and accessories for use with this equipment are available at www.nespresso.com

Standard Characteristics

Power Supply 200 V AC 360-800 Hz Three-Phase
(only two Phases used)
Nominal AC Current 6.3 Amps per Phase
Recommended Circuit Breaker 10 Amps
Heater Rating 1200 W

Nominal Performance

Volumes Small Cup 40ml,
Large Cup 110ml
Cycle time Small Cup 30 seconds
Large Cup 45 seconds
Reservoir Capacity 1 Litre continuous fill system
Water Inlet Pressure 24-50 psi
(regulated by Aircraft System)

Standard Controls

POWER ON / OFF illuminates green when selected
STOP illuminates red (flashing) when a function is selected
SMALL CUP illuminates amber when selected
LARGE CUP illuminates amber when selected
HOT WATER illuminates white when selected
STEAM illuminates white when selected
LCD screen displays the menu

Operational Range

Ambient Temperature 15-35°C (cabin temperature)
Altitude 0 to 15,000ft (cabin pressure)

Interface Details

(all dimensions in mm)

Variant	-1	-9	-17	-29	-31	-33	-35
Height	305	305	305	335	335	335	305
Width	160	160	225	160	160	160	218
Depth	381	381	226	327	327	327	370

Electrical Connector CA3106R16S-1PF80 (-1, -2, -9 & -35)
MS3102R18-8PF80 (-29, -31 & -33)
Flying Lead (-17)
Water Connector Self Sealing Hanson Coupling
Mounting Attachment Standard Coffee Maker Mounting Rail (-1, -2, -9 & -35)
4 off 10-32 UNF Attachment points (-17, -29, -31 & -33)

Unit Weights

Variant	Empty	Load	Total
-1 & -9	8.5 kg	1 kg	9.5 kg (20.9 lb)
-17	7.5 kg	1.2 kg	9.0 kg (19.8 lb)
-29, -31 & -33	8.5 kg	1.1 kg	9.4 kg (20.7 lb)
-35	7.7 kg	1.2 kg	8.9 kg (19.6 lb)

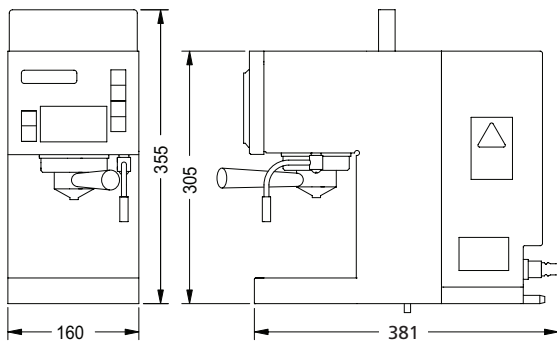
Documentation: ATA / iSpec 2200 CMM
Release: EASA Form 1 or Certificate of Conformity (COC)* model dependant

*EASA Form 1 can be provided by a DOA to POA Arrangement depending on commercial contract. Cost applicable.

AL-EX15-200E-1



Outline drawing (-1 & -9 Unit)

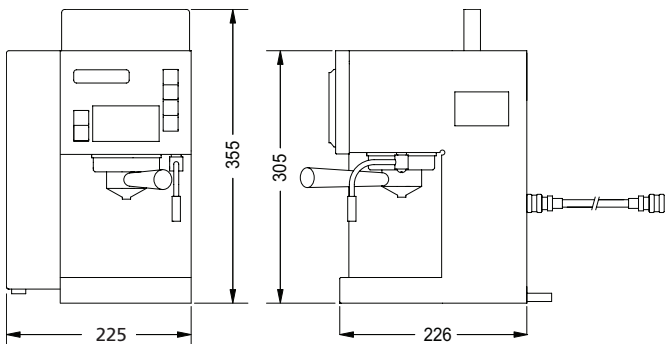


AL-EX15-200E-29

Electrical Interface

Power Line	Pin Out / Wire Ident						
	-1	-9	-17	-29	-31	-33	-35
A phase	B	B	1	A	H	G	B
B phase	C	C	2	B	n/a	n/a	C
Neutral	n/a	n/a	n/a	n/a	D	D	n/a
Ground	F	F	3	E	E	E	F
Ground	G	G	4	F	F	F	G
Unused	A	A	n/a	C	A	A	A
Unused	D	D	n/a	D	B	B	D
Unused	E	E	n/a	G	C	C	E
Unused	n/a	n/a	n/a	H	G	H	n/a

Outline drawing (-17 Unit)



Caution: Do not use the information contained in this document to perform installation design as this data is subject to change.



AL-EX15-200E Series



AL-EX15-200E-9

AL-EX15-200E-17



Part Number	Description
AL-EX15-200E-1	Auto-Fill / Rail mounted Unit. Identical in fit form and function to AL-EX15-200E. Operates on; 200 V AC 360-800 Hz Three-Phase.
AL-EX15-200E-9	Manual-Fill / Rail mounted Unit. Identical to the -1 variant but with a manual fill flip lid on the water tank and the rear panel water inlet blanked off. Operates on; 200 V AC 360-800 Hz Three-Phase.
AL-EX15-200E-17	Auto-Fill / Bolt-down Unit. Side mounted electronic box and water tank. Electrical interface via flying lead. Operates on; 200 V AC 360-800 Hz Three-Phase. <i>Note: Mod 1 converts a standard -17 unit to a manual fill type unit incorporating a flip lid on water tank.</i>
AL-EX15-200E-29	Manual-Fill / Bolt-down Unit. Access to water tank through sump incorporated in the top cover. LED indication for high water level. Electrical and drain interfaces located at the rear of the Unit. Mounted to the galley by 4 x 10-32 bolts through base. Operates on; 200 V AC 360-800 Hz Three-Phase.
AL-EX15-200E-31	As per standard -29 unit. Operates on; 110-120 V AC 50/60 Hz Single Phase
AL-EX15-200E-33	As per standard -29 unit. Operates on; 220 -240 V AC 50/60 Hz Single Phase
AL-EX15-200E-35	As per standard -17 unit. Converted to be Rail Mounted. Operates on; 200 V AC 360-800 Hz Three-Phase.

Individual designed Espresso Coffee Makers can be supplied to suit any installation requirements, including envelope size / power supply / potable water etc. Please contact Aerolux sales for more information.



Aerolux Limited Aircraft Galley Equipment Manufacturers
Chorley Road, Blackpool, Lancashire FY3 7XQ, England
Tel +44 (0)1253 396670 Fax +44 (0)1253 300074
Email info@aerolux.co.uk • sales@aerolux.co.uk
www.aerolux.co.uk